



# OXE 300

945 NM (696FT-LB) OF TORQUE

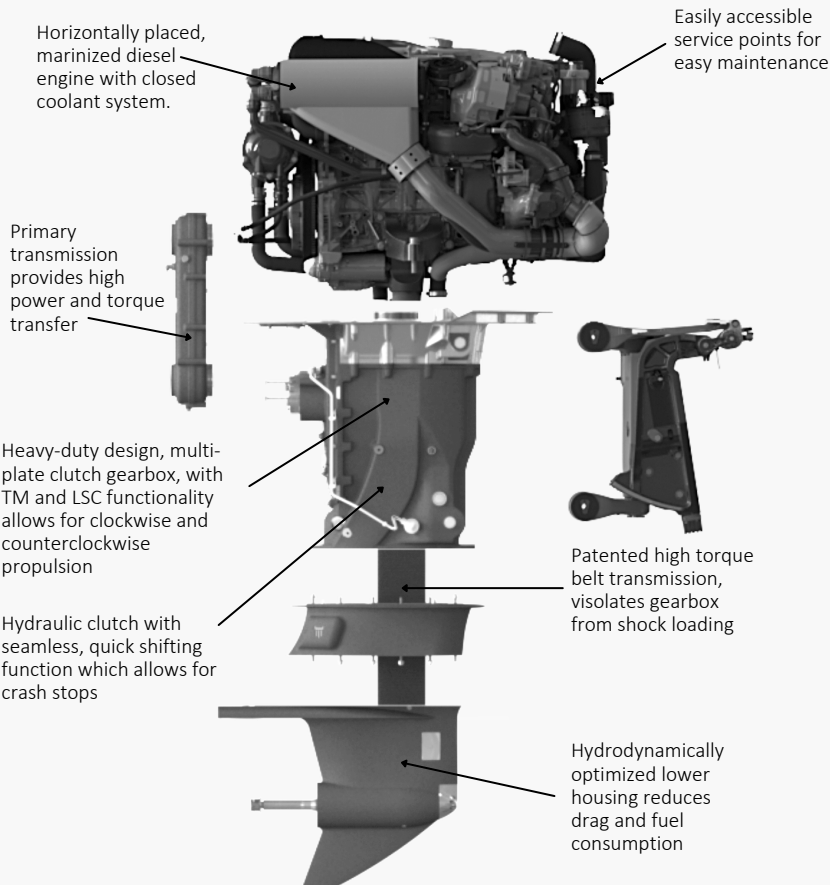
[oxemarine.com](http://oxemarine.com)

## OXE300

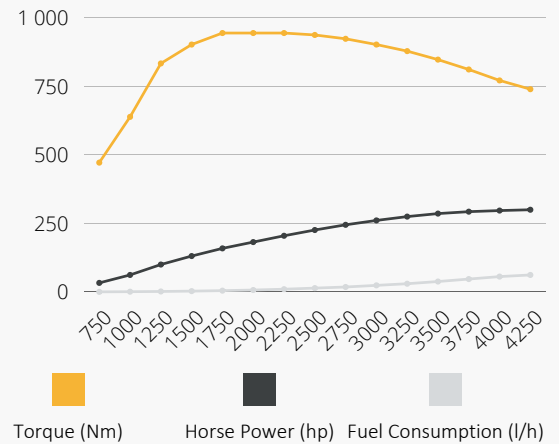
The OXE Diesel outboards combine the reliability of an inboard with the flexibility of an outboard. A more environmentally friendly solution, the OXE Diesels offers increased serviceability, longer lifespan, lower emissions and fuel consumption. Operational range is increased by over 60%, compared to a gasoline outboard. All OXE Diesel outboards are certified in compliance with regulations set forth in EPA TIER III, IMO TIER II (MARPOL VI TIER 2), RCD, and CCS.

The OXE300 is a bi-turbo configuration that provides its full 680Nm of torque at the crankshaft already at 1750 rpm, at 1000 rpm the engine provides over 500Nm at the crankshaft. The power and high torque of the marinized diesel block by BMW in the OXE300 proves for an enduring and relentless product, applicable in diverse settings as both a workhorse and a high-speed solution, as well as revolutionary bollard pulling power.

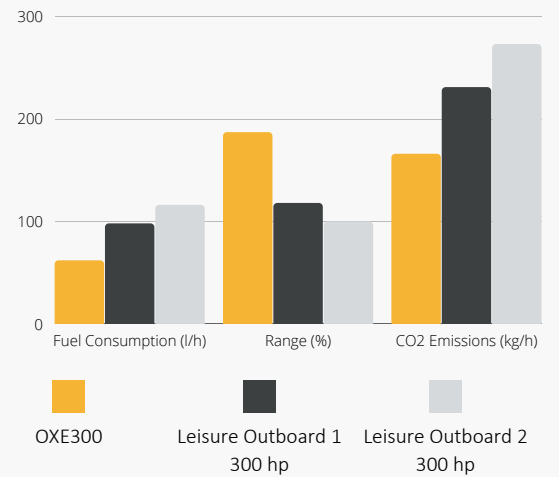
Learn more at [oxemarine.com](http://oxemarine.com)



### Performance



### Consumption, Range and Emissions



### SERVICE INTERVAL: 200 hrs / 800 hrs

ENGINE TYPE: Diesel engine, L6. Block built by BMW

DISPLACEMENT: 3.0 L

INTAKE: Turbocharged, intercooled

TORQUE: 680 Nm at 1750 rpm

POWER: 300 hp at 4200 - 4400 rpm

FUEL: Diesel EN 590, ASTM D 975 No.1 No.2. JIS KK2204, F54 & F75, biofuels: HVO100 and B7

WEIGHT: 25" 430 kg (947 lb), 33" 435 kg (959 lb)

ALTERNATOR OUTPUT: 180 Amp

RIG LENGTH: 25" or 33"

COOLING: Closed cooling circuit

STARTING: Electric

STEERING OPTIONS: Hydraulic, Electronic Power Steering, Joystick

SHIFT: CANbus, Electro-hydraulic

CLUTCH: Hydraulic multi-friction plate

GEAR RATIOS: 1.39:1

DIMENSIONS: (25" leg), L1150 H2090 W700 (mm)

